

***Interactive comment on “Update of the tsunami catalogue of New Caledonia using a decision table based on seismic data and maregraphic records” by J. Roger et al.***

**J. Roger et al.**

jeanrog@hotmail.fr

Received and published: 27 March 2019

Dear Referee,

We are pleased to provide answers to your comments below:

You detailed about references lacking to our manuscript references list. It is a mistake from us to have removed those references in our review process in Word software instead of keeping them. It is now fixed.

Concerning Figure 2, we fully agree with you; it was a mistake from us in the text and the beginning time of the considered events has been changed to "January 1,

1970"; the data used for preparing the graph have been also changed to keep only the instrumental period, thus only 440 events are now considered.

Concerning Figure 4, "P" has been changed by "F" to be in agreement with the manuscript.

Table 2 and Table 3 column "Distance to NC center" has been corrected: it is true that keeping decimals is a nonsense for such distances in hundreds of kilometers.

Thank you for providing comments and your detailed review.

Best regards,

The authors.

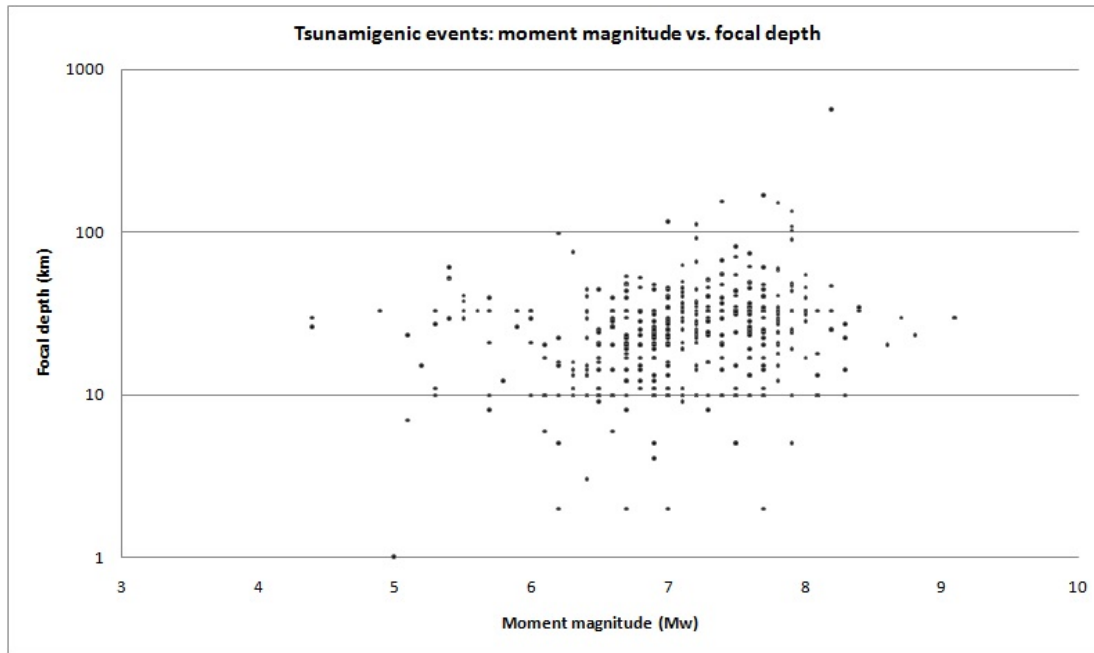
---

Interactive comment on Nat. Hazards Earth Syst. Sci. Discuss., <https://doi.org/10.5194/nhess-2019-36>, 2019.

Printer-friendly version

Discussion paper





**Fig. 1.** Relationship between earthquake focal depth and moment magnitude for 440 tsunamigenic events of the NGDC/WDS Global Historical Tsunami Database.

[Printer-friendly version](#)[Discussion paper](#)

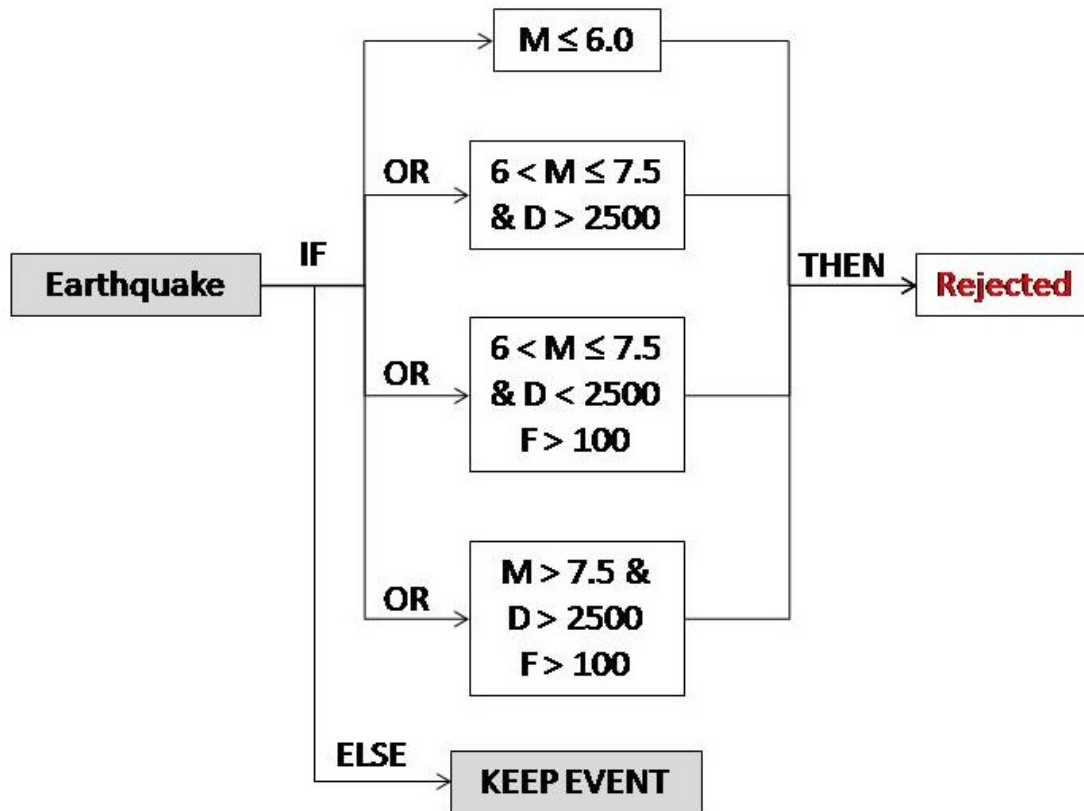


Fig. 2. Decision algorithm to select events automatically.